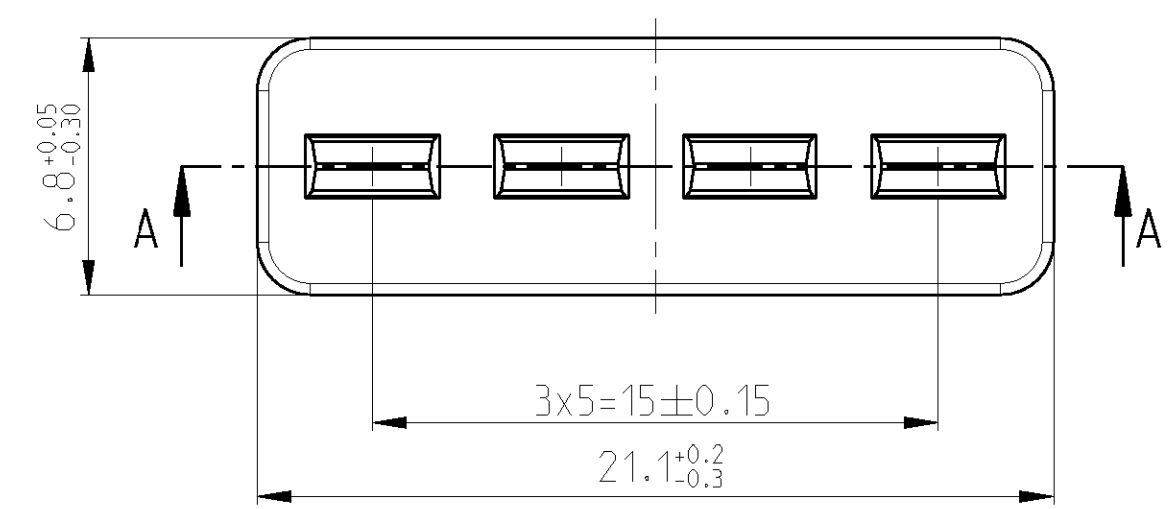
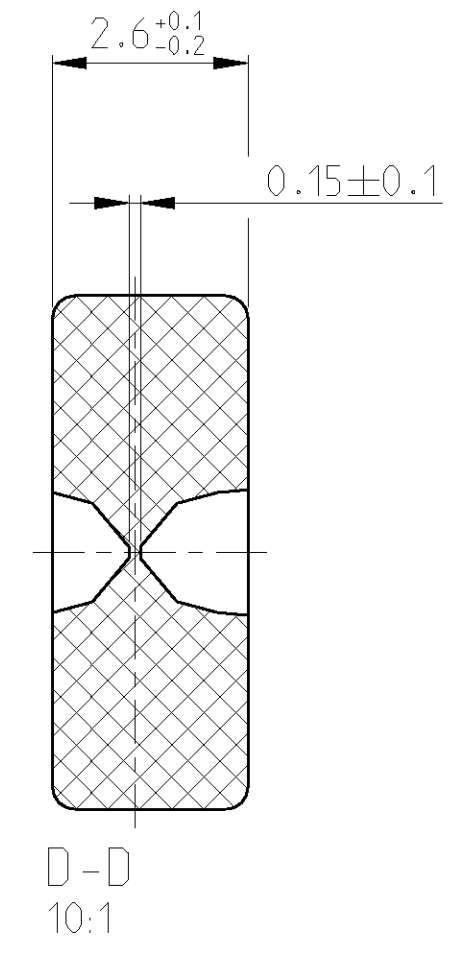
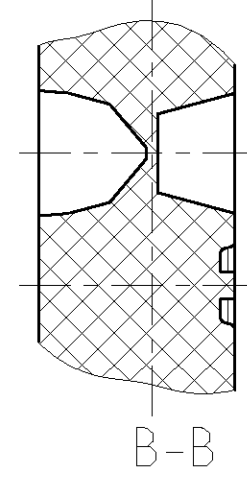
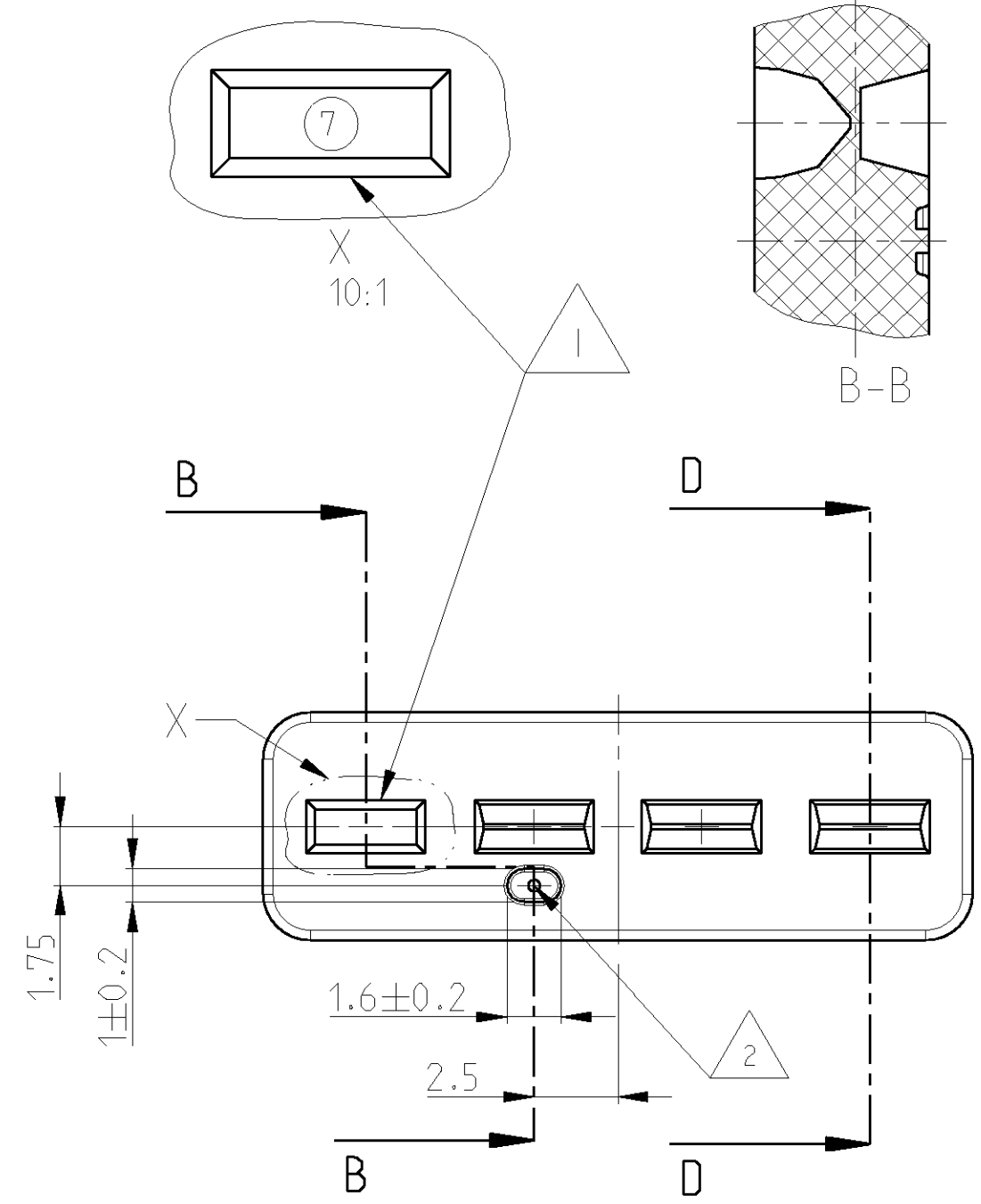
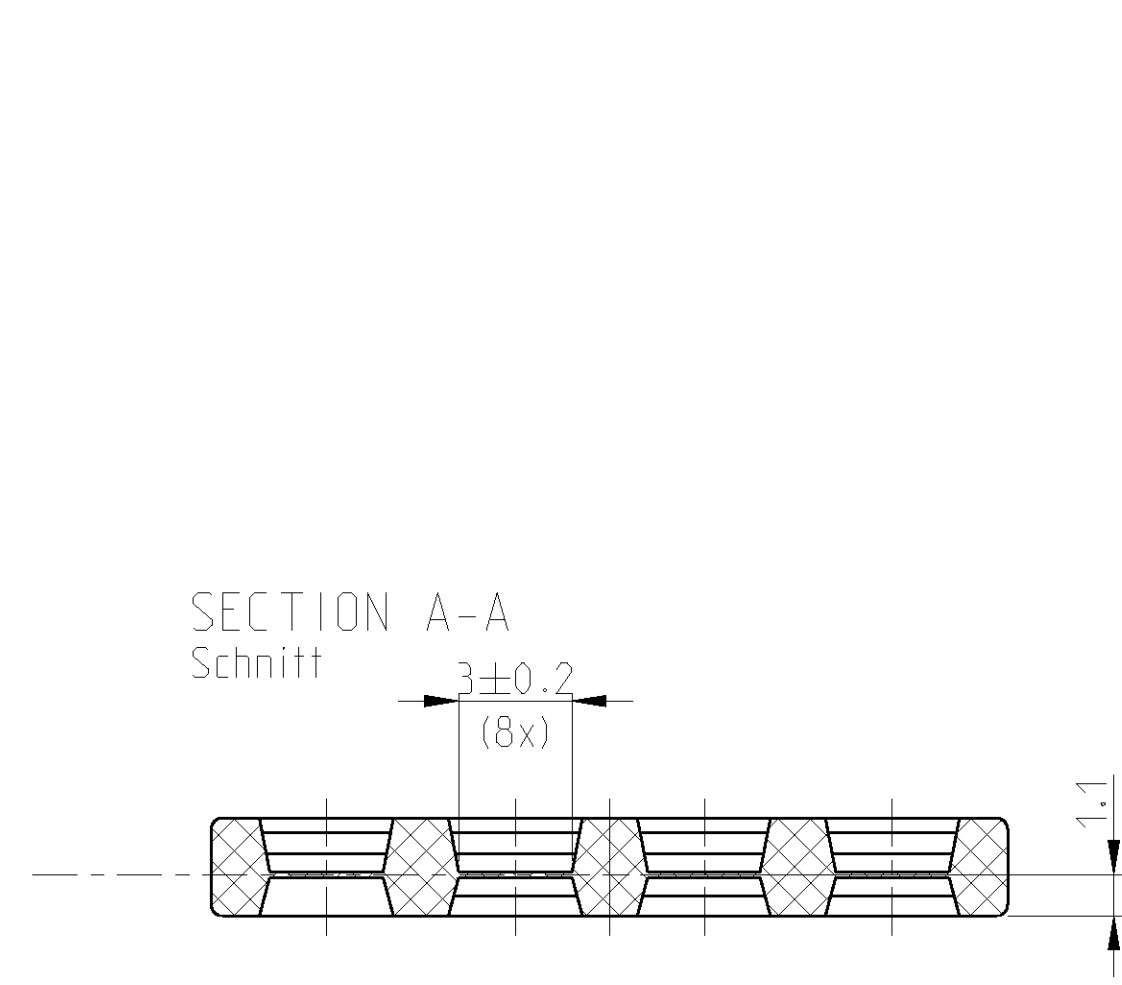
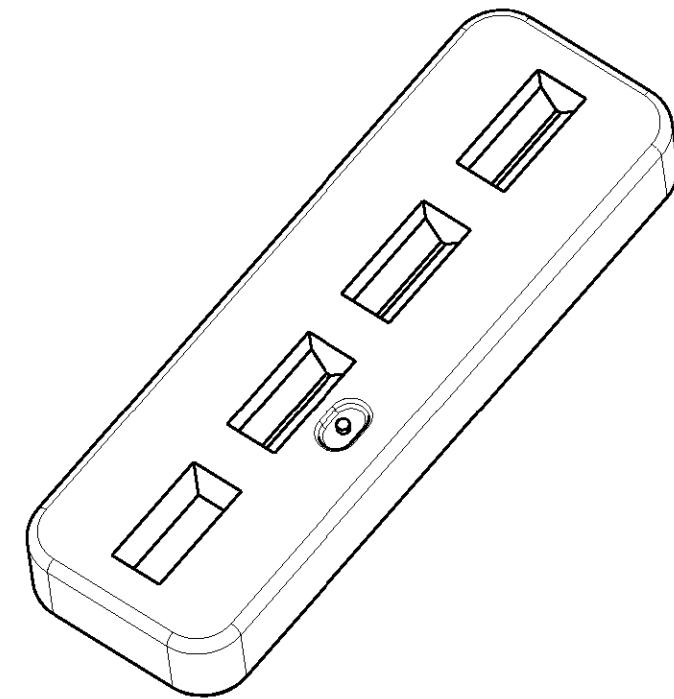


Proj.-No.	A98-52072	LOC	A1	DIST	-
REVISIONS					
P	LTR	DESCRIPTION	DATE	DWN	APVD
C		SEE PCN EGO0-0094-03 (REV. CHANGE)	27JAN2003	A.Ri	TK
C1		-2 (GREEN VERSION) ADDED	07JUL2003	MD	TK
D		SEE PCN EGA0-1953-04	30AUG2004	SKH	TK



NOTES
Bemerkungen

- 1 CAVITY MARKING RAISED, OPTIONAL IN ONE OF THE WINDOWS
Nestmarkierung erhaben, wahlweise in einem Fenster
- 2 GATE AREA SUNK, GATEMARK MUST NOT GET THROUGH OUTER GEOMETRY
Angußbereich vertief, Anguß darf nicht aus der äußeren Geometrie überstehen



963208-2	B	0.358	SEAL	GREEN	SILICON	2
963208-1	D	0.358	SEAL	NATUR	SILICON	1
PART NO	REV	WEIGHT [g]	DESCRIPTION	COLOUR	MATERIAL	ITEM

Verwendet für: 965102 / 962340 / 962341 / 965261

THIS DRAWING IS A CONTROLLED DOCUMENT FOR TYCO ELECTRONICS CORPORATION IT IS SUBJECT TO CHANGE AND THE CONTROLLING ENGINEERING ORGANIZATION SHOULD BE CONTACTED FOR THE LATEST REVISION.		DWN S. Kann-Henzel 30AUG2004	tyco Electronics AMP GmbH D - 64625 Bensheim		
DIMENSIONS: mm		CHK T. Kilian 01SEP2004	NAME SEAL FOR 4POS. JPT CONNECTOR		
TOLERANCES UNLESS OTHERWISE SPECIFIED: 0 PLC ±0.3 1 PLC ±0.3 2 PLC ±0.3 3 PLC ± 4 PLC ±		APVD -	PRODUCT SPEC 108-18102		
MATERIAL -		FINISH -	APPLICATION SPEC 114-18175		RESTRICTED TO -
		WEIGHT -	SIZE A2	CAGE CODE 00779	DRAWING NO G=963208
		CUSTOMER DRAWING	SCALE 5:1	SHEET 1 OF 1	REV D